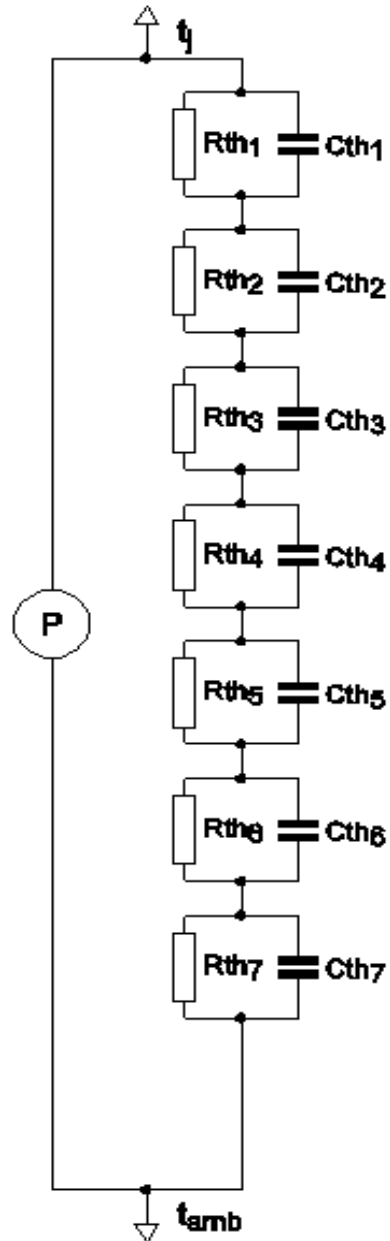


SPICE thermal model

BUK9Y19-100E

| Symbol | Parameter | Conditions | Min | Typ | Max | Unit |
|----------------|---|------------|-----|-----|------|------|
| $R_{th(j-mb)}$ | thermal resistance from junction to mounting base | | - | - | 0.90 | K/W |

| | |
|-----------|--------------------|
| C_{th1} | 5.189E-05 F |
| C_{th2} | 3.399E-04 F |
| C_{th3} | 3.893E-04 F |
| C_{th4} | 2.947E-03 F |
| C_{th5} | 4.944E-03 F |
| C_{th6} | 1.408E-02 F |
| C_{th7} | 1.666E-01 F |
| R_{th1} | 1.612E-03 Ω |
| R_{th2} | 3.276E-03 Ω |
| R_{th3} | 2.283E-02 Ω |
| R_{th4} | 3.326E-02 Ω |
| R_{th5} | 1.806E-01 Ω |
| R_{th6} | 5.956E-01 Ω |
| R_{th7} | 6.723E-02 Ω |



Part: BUK9Y19-100E
 Date: 17/4/2013
 Model Rth 0.90 K/W